

RW GLASS DOORS ELECTRICAL PARAMETERS



RW International recommends using dedicated circuits for each of the following:
(a) frame heat, (b) LED lighting, and (c) door heat if applicable.

Heated 2-Pane Cooler Glass Doors

Frame Type	Size (Opening)	Frame Heat Power (W)	Door Heat Power (W)	LED Power(W)	Total (W)	BTU/hr	Amps 115V
Entrance Door	37-1/4" x 81-3/4"	77	95	48	220	723	1.91
Pass Thru Door	32" x 81-3/4"	79	67	48	194	635	1.69
Single Door	32" x 82"	97	67	48	212	696	1.84
Two Door	62-1/4" x 82"	150	134	72	356	1228	3.10
Three Door	92-3/4" x 82"	217	201	96	514	1808	4.47
Four Door	123" x 82"	273	268	120	661	2324	5.75

Non-Heated 2-Pane Cooler Glass Doors

Frame Type	Size (Opening)	Frame Heat Power (W)	Door Heat Power (W)	LED Power (W)	Total (W)	BTU/hr	Amps 115V
Entrance Door	37-1/4" x 81-3/4"	77	0	48	125	399	1.09
Pass Thru Door	32" x 81-3/4"	79	0	48	127	406	1.10
Single Door	32" x 82"	97	0	48	145	467	1.26
Two Door	62-1/4" x 82"	150	0	72	222	771	1.93
Three Door	92-3/4" x 82"	217	0	96	313	1123	2.72
Four Door	123" x 82"	273	0	120	393	1437	3.42

Heated 3-Pane Freezer Glass Doors

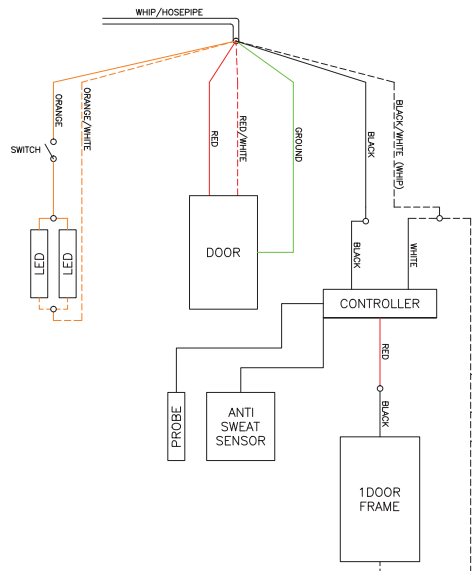
Frame Type	Size (Opening)	Frame Heat Power (W)	Door Heat Power (W)	LED Power (W)	Total (W)	BTU/hr	Amps 115V
Single Door	32" x 82"	190	182	48	420	1269	3.65
Two Door	62-1/4" x 82"	295	364	72	731	2248	6.36
Three Door	92-3/4" x 82"	408	546	96	1050	3255	9.13
Four Door	123" x 82"	512	728	120	1360	4231	11.83

Frame heaters will only turn on when Anti-Sweat Sensor is triggered by rising dew point

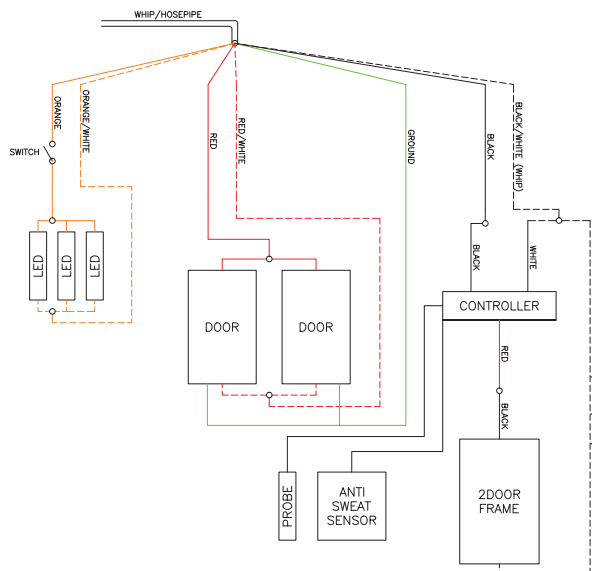
RW GLASS DOORS ELECTRICAL PARAMETERS



1 Frame Wiring Diagram



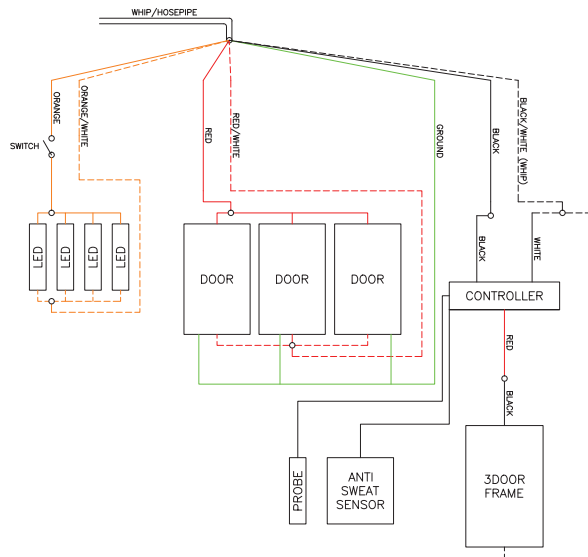
2 Frame Wiring Diagram



RW GLASS DOORS ELECTRICAL PARAMETERS



3 Frame Wiring Diagram



4 Frame Wiring Diagram

