

ELECTRICAL PARAMETERS



Raves Cooler Doors recommends using dedicated circuits for each of the following:
(a) frame heat, (b) LED lighting, and (c) door heat if applicable.

Non-Heated Cooler Glass Doors

Frame Type	Size (Opening)	Frame Heat Power (W)	Door Heat Power (W)	LED Power (W)	Total (W)	BTU/hr	Amps 120V
Entrance Door	37-1/4" x 81-3/4"	58	0	36	94	321	.78
Pass Thru Door	32" x 81-3/4"	55	0	36	91	310	.76
Single Door	32" x 82"	73	0	36	109	370	.91
Two Door	62-1/4" x 82"	116	0	54	170	579	1.42
Three Door	92-3/4" x 82"	159	0	72	231	786	1.93
Four Door	123" x 82"	210	0	90	300	1023	2.5

Heated Freezer Glass Doors

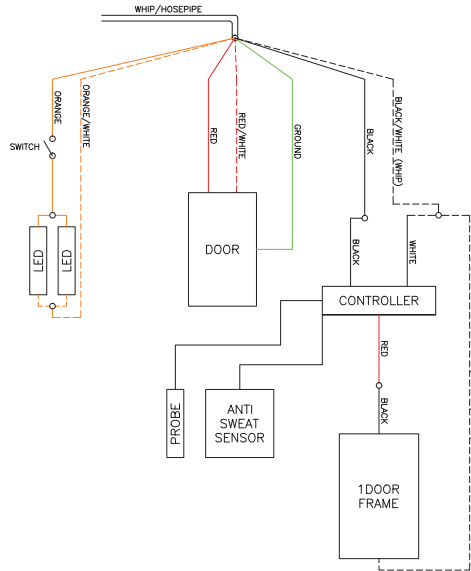
Frame Type	Size (Opening)	Frame Heat Power (W)	Door Heat Power (W)	LED Power (W)	Total (W)	BTU/hr	Amps 120V
Single Door	32" x 82"	190	182	36	408	1392	3.4
Two Door	62-1/4" x 82"	295	364	54	713	2432	5.94
Three Door	92-3/4" x 82"	408	546	72	1026	3501	8.55
Four Door	123" x 82"	512	728	90	1330	4538	11.08

Frame heaters will only turn on when Anti-Sweat Sensor is triggered by rising dew point

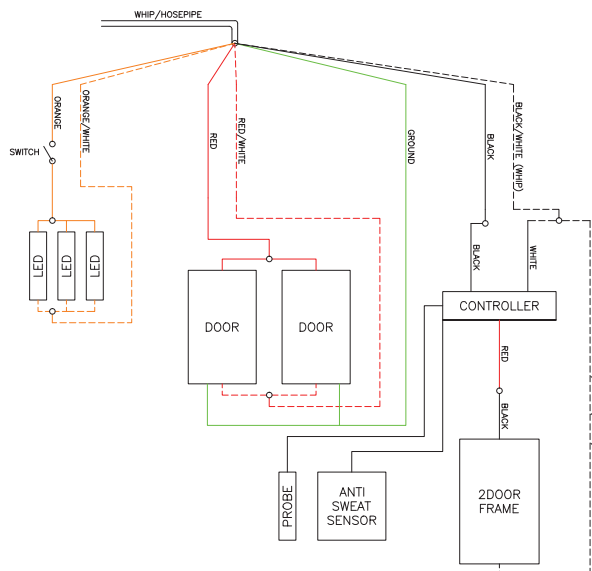
ELECTRICAL PARAMETERS



1 Frame Wiring Diagram



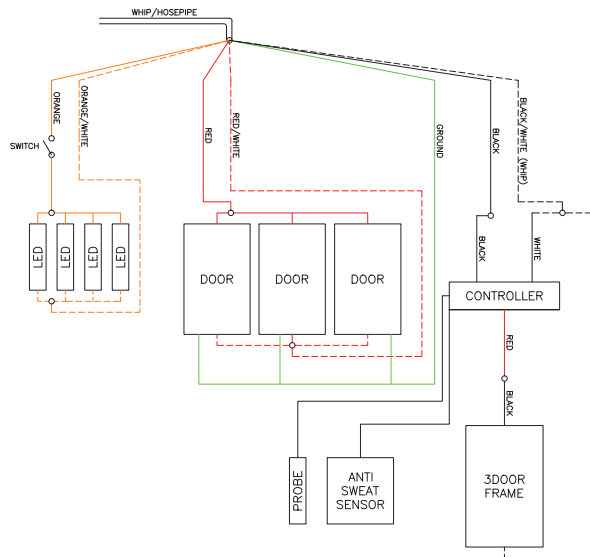
2 Frame Wiring Diagram



ELECTRICAL PARAMETERS



3 Frame Wiring Diagram



4 Frame Wiring Diagram

